

BED COLLECTIONS



Modulinea

Enhancing lifestyles

INDEX

BED COLLECTIONS

	Page No.
Aladino Hideaway Bed Single Vertical Manual Version	05-06
Aladino Hideaway Double Bed Manual Version	07-08
Aladino Hideaway Sofa Cum Bed Manual Version	09-10
Aladino Hideaway Double Bed Motorized Version	11-12
Aladino Hideaway Sofa Cum Bed Motorized Version	13-14
Pratik Storage Bed Fitting	15-16
Giove Storage Bed Fitting	17-18
Alby - M Bed Fitting & Hotel Bed Fitting	19
Eolo Pull Out Bed	20-21
Boxy Pull Out Bed	22-23
Nilo Hide Away Single Bed	24-25
Genius Hide Away Double Bed	26-27

OUR STORY

Our story began in 1998.

Back then we were a retailer of modular kitchen with a single store in city of Vasai.

Today, we have a state-of-the-art manufacturing setup, producing Modular Kitchens and Wardrobes and are privileged to be connected with 150+ dealers with exceptional product range and more than 200 retail stores in the Indian market.

25 *Glorious years*
1998-2024



INTRODUCTION

VISION

We aspire to be India's modular furniture industry benchmark for design, quality and innovation.

MISSION

The company has made the continuous search for quality & innovation its mission, renewing its proposals towards a customer centric approach to the most contemporary lifestyles and trends in modular furniture with exclusive, innovative, quality products.

VALUES



RELIABILITY

We integrate fair, honest, transparent and ethical code of conduct in every process. Becoming supplier of choice, delivering premium products and services, creating value for our customers.



SUSTAINABILITY

An honest commitment to sustain ability and to acting in environmentally friendly way. Providing a safe workplace, respecting the environment, caring for our communities and demonstrating high ethical standards.



EXCELLENCE

We are passionate about achieving higher standards of quality and design. We focus on developing leading edge solutions in technology, processes and products. We are bold, agile, courageously taking on challenges, using deep customer insight to develop innovative solutions.



RESPONSIBILITY

We invest in our people and partners, enable continuous learning and building caring & collaborative relationship based on trust and mutual respect. Fostering teamwork, nurturing talent, enhancing leadership capability and acting with pace, pride and passion.

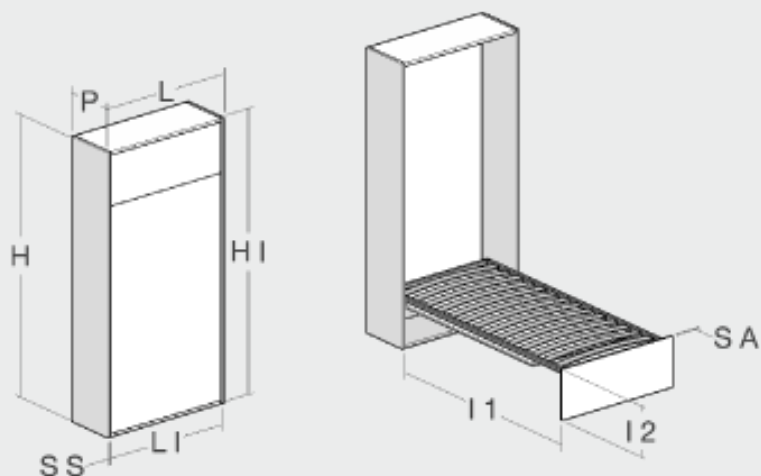


ALADINO HIDEAWAY BED SINGLE VERTICAL MANUAL VERSION

Aladino is a functional and comfortable hide-away bed with a smooth balanced manual opening. Developed for a daily use, its strength is given by the use of important tube profiles, which prevent the doors from bending, granting a long lifetime over the years, For cabinets with inside closing front.

MANUAL VERSION : TECHNICAL DETAILS

Mattress Size	870 x 2000mm
Bedspring Weight	18.1Kgs
Mattress Average Weight	14.5Kgs
Footboard Panel Weight	4.2Kgs
Front Panel Weight	20Kgs
Internal Cabinet Size	2175 x 905 x 400mm
Cabinet Size Outer	2225 x 955 x 400mm



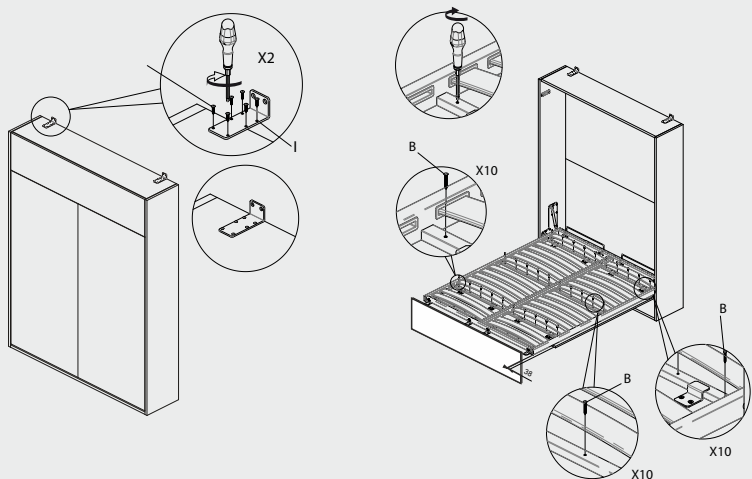


ALADINO HIDEAWAY DOUBLE BED MANUAL VERSION

Aladino is a functional and comfortable hide-away bed with a smooth balanced manual opening. Developed for a daily use, its strength is given by the use of important tube profiles, which prevent the doors from bending, granting a long lifetime over the years, For cabinets with inside closing front. It can be completed by a collapsible sofa set.

MANUAL VERSION : TECHNICAL DETAILS

Bedspring	1620mm
Mattress Size	1600 x 2000mm
Bedspring Weight	38Kgs
Mattress Average Weight	28Kgs
Footboard Panel Weight	7Kgs
Front Panel Weight	32Kgs
Internal Cabinet Size	2175 x 1705 x 380mm
Cabinet Size Outer	2225 x 1755 x 400mm



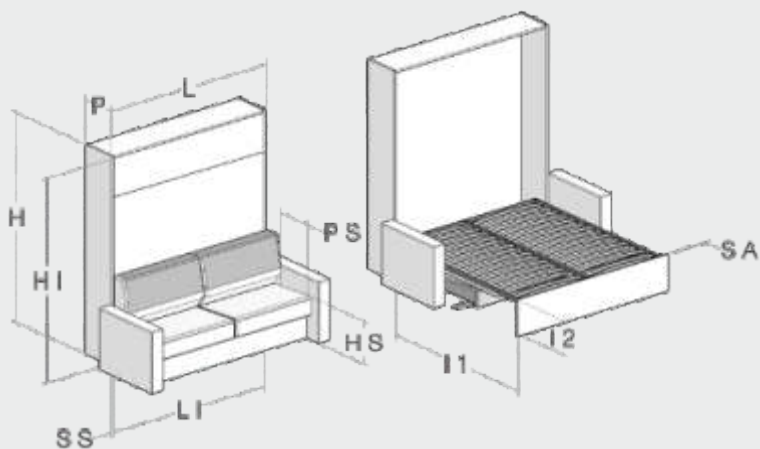


ALADINO HIDEAWAY SOFA CUM BED MANUAL VERSION

Aladino is a functional and comfortable hide-away bed with a smooth balanced manual opening. Developed for a daily use, its strength is given by the use of important tube profiles, which prevent the doors from bending, granting a long lifetime over the years, For cabinets with inside closing front. It can be completed by a collapsible sofa set.

MANUAL VERSION : TECHNICAL DETAILS

Bedspring	1620mm
Mattress Size	1600 x 2000mm
Bedspring Weight	38Kgs
Mattress Average Weight	28Kgs
Footboard Panel Weight	7Kgs
Front Panel Weight	32Kgs
Internal Cabinet Size	2175 x 1705 x 380mm
Cabinet Size Outer	2225 x 1755 x 400mm





ALADINO HIDEAWAY DOUBLE BED MOTORIZED VERSION

TECHNICAL DETAILS

Bedspring	1620mm
Mattress Size	1600 x 2000mm
Bedspring Weight	32Kgs
Mattress Average Weight	28Kgs
Footboard Panel Weight	9.5Kgs
Front Panel Weight	38Kgs
Internal Cabinet Size	2175 x 1705 x 380mm
Cabinet Size Outer	2225 x 1755 x 400mm





ALADINO HIDEAWAY SOFA CUM BED MOTORIZED VERSION

TECHNICAL DETAILS

Bedspring	1620mm
Mattress Size	1600 x 2000mm
Bedspring Weight	32Kgs
Mattress Average Weight	28Kgs
Footboard Panel Weight	9.5Kgs
Front Panel Weight	38Kgs
Internal Cabinet Size	2175 x 1705 x 380mm
Cabinet Size Outer	2225 x 1755 x 400mm





PRATIK STORAGE BED FITTING

Horizontal elevation functions permits free movement which makes the task of bed making comparatively easier. Stabilizing bar provides optimal stability Comfortable opening enables free handling of things in the storage space. It is available in three different sizes.

Frame size : 1530mm x 1905mm

Cabinet Internal Size	1560 x 1950mm
Cabinet Height	Min. 280mm
Weight Of Mattress	32 - 35Kg

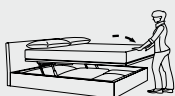
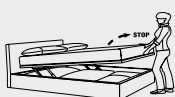
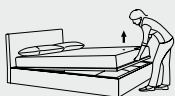
Frame size : 1680mm x 1980mm

Cabinet Internal Size	1710 x 2025mm
Cabinet Height	Min. 280mm
Weight Of Mattress	32 - 35Kg

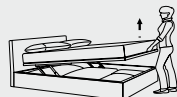
Frame size : 1830mm x 1980mm

Cabinet Internal Size	1860 x 2025mm
Cabinet Height	Min. 280mm
Weight Of Mattress	32 - 35Kg

Horizontal elevation



Total opening





GIOVE STORAGE BED FITTING

Create an extra storage area Easy to install and access. Simple to open and close It is available in three different sizes.

Frame size : 1530mm x 1905mm

Cabinet Internal Size	1560 x 1950mm
Cabinet Height	Min. 280mm
Weight Of Mattress	32 - 35Kg

Frame size : 1680mm x 1980mm

Cabinet Internal Size	1710 x 2025mm
Cabinet Height	Min. 280mm
Weight Of Mattress	32 - 35Kg

Frame size : 1830mm x 1980mm

Cabinet Internal Size	1860 x 2025mm
Cabinet Height	Min. 280mm
Weight Of Mattress	32 - 35Kg



ALBY - M BED FITTING

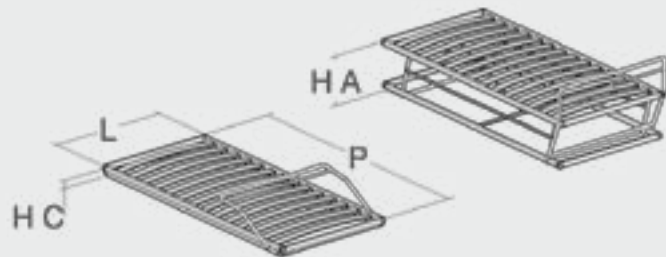
Automatic pull-out bed with head pull and headboard single models.
Front panel floor-covering wheels Bed with slats.

Unit size : 800mm x 1900mm

Bedspring Height	320 - 350mm
Cabinet Internal Size	900 x 1950mm
Weight Of Mattress	15Kg



Single



HOTEL BED FITTING

Finished structures and self-supporting frames. Easy to install and access.

Unit size : 1830mm x 1980mm

Legs Height	300mm
Weight of Mattress	35Kg

Unit size : 1680mm x 1980mm

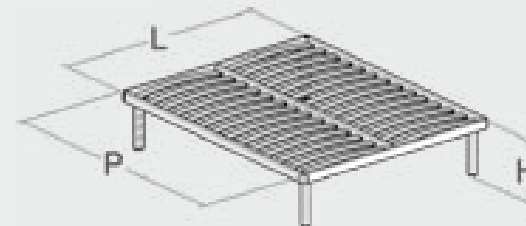
Legs Height	300mm
Weight of Mattress	35Kg

Unit size : 1530mm x 1905mm

Legs Height	300mm
Weight of Mattress	35Kg



Double



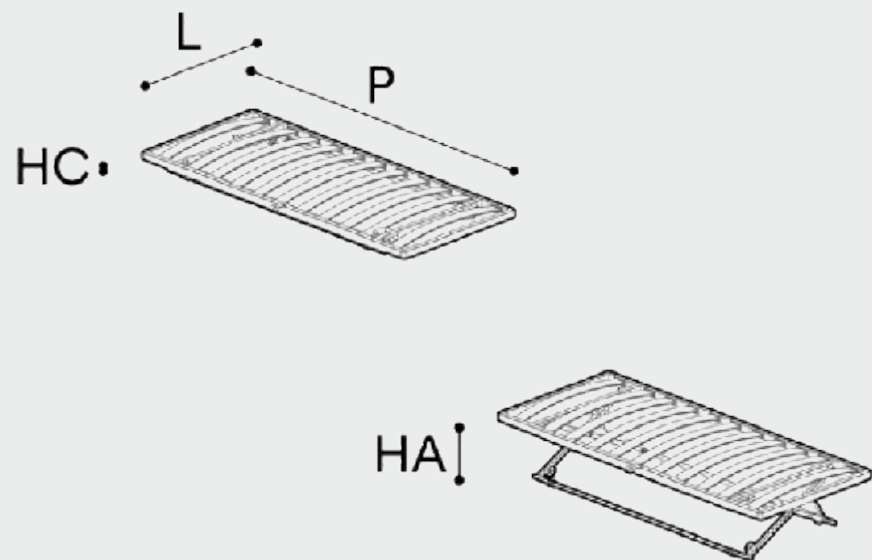


EOLO PULL OUT BED

Eolo is a steady and sturdy pull-out bed with semi-automatic assisted opening. It features a push/pull system that enables an extremely smooth and easy opening / closing, thanks to the carefully calibrated gas springs.

TECHNICAL DETAILS

Available in Size	800 x 1880mm
Width	800mm
Depth	1880mm
Height of Closed Bed Frame	85mm
Height of Open Bed Frame	330mm
KG Mattress	10 - 15Kg
Min. Internal Box Size	Min. 850 x 1920 x 280mm



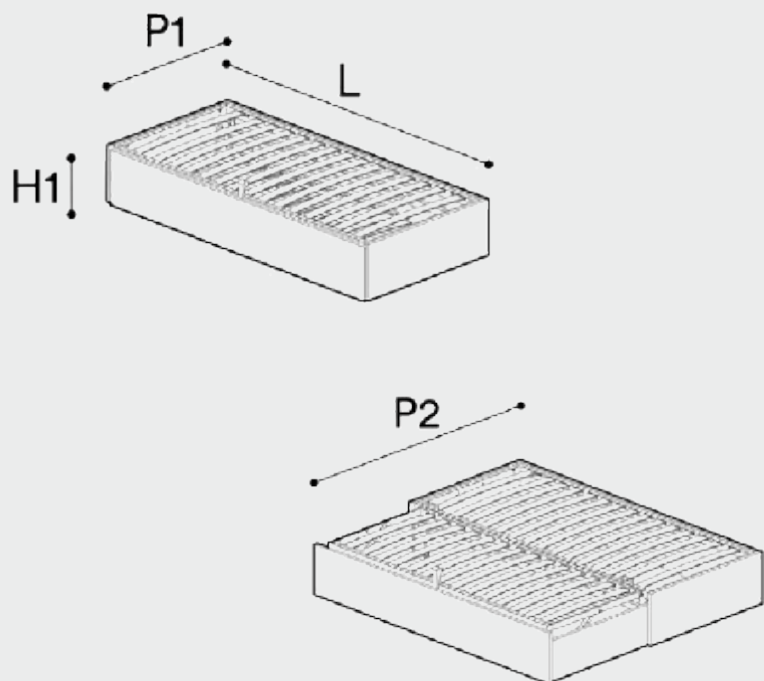


BOXY PULL OUT BED

The Boxy System can be set up as a single bed or as a sofa; you can pair a second bed making one solid and indivisible top.

TECHNICAL DETAILS

Height	340mm
Width	2069mm
Depth when Closed	956mm
Depth when Open	1785mm
Maximum Mattress Height	150mm
Upper Bed Frame Mattress Size	900 x 2000mm
Lower Bed Frame Mattress Size	800 x 1900mm



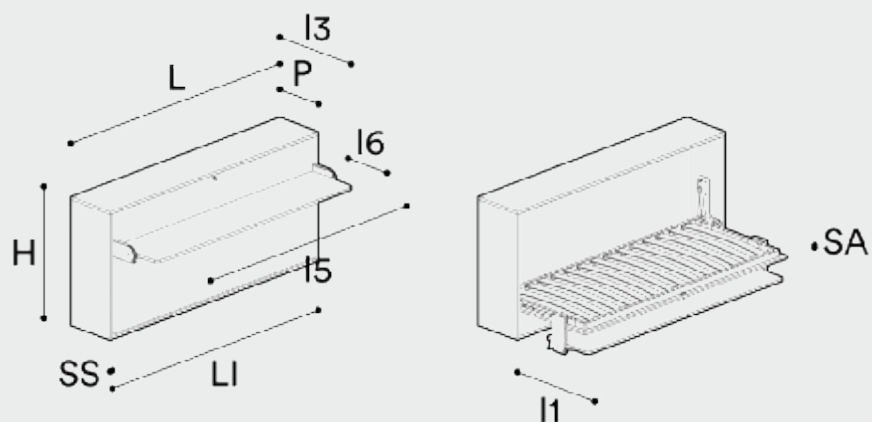


NILO HIDE AWAY SINGLE BED

Nilo is a functional foldaway bed/desk system with an easy balanced manual opening. When opening/closing, the top of the desk never changes its inclination. Maintaining the constant horizontality of the top allows the user to open and close the bed without having to remove objects from the desk. The unique design of the mechanism eliminates any point of cutting and crushing.

TECHNICAL DETAILS

Available in Size	870 x 2000mm
Width	2135mm
Height	1014mm
Depth	400mm
Internal Width	2076mm
Minimum Side Thickness	25mm
Minimum Door Thickness	18mm
Depth Dimension	665mm
Depth Size when Closed	825mm
Desk top Width	2006mm
Desk top Depth	420mm



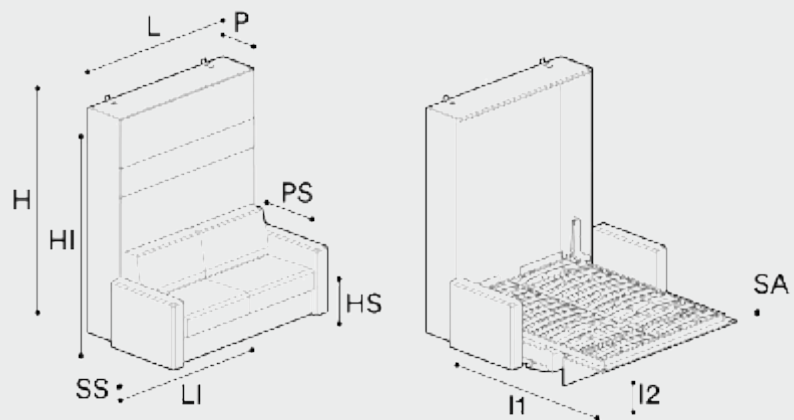


GENIUS HIDE AWAY DOUBLE BED

Genius is a functional hide-away bed with a smooth balanced manual pull-down, designed for cabinets for the inside closing front. Its peculiarity is the push-pull opening of the footboard panel, which gives it an elegant appearance. Ideally suited for kitchens and living rooms.

TECHNICAL DETAILS

Available in Size	1600 x 2000mm
Width	1755mm
Height	2225mm
Depth	400mm
Internal Width	1705mm
Internal Height	2175mm
Minimum Side Thickness	25mm
Minimum Door Thickness	18mm
Matters	28mm
Depth Dimension	1880mm
Bed Frame Height	335mm



CONTACT

Modulinea Modular Systems,

Plot no. 21/39, Papdy Industrial Estate,
Umela Phata, Vasai (W), Dist. Palghar- 401207.

Tel .: +91 9326602550

Email.: info@modulinea.com

www.modulinea.com

The content of this document is provided strictly for information purposes only. Whilst it has been endeavoured to procure completeness and accuracy, no warranty - express or implied - is given, in particular of fitness for a particular purpose. In no event any the company will be liable for any whatsoever damages arising directly or indirectly from the use of or reliance on the content provided herein, even if (previous) advice has been given/received that such damages may occur.



Modulinea

Enhancing lifestyles

MODULINEA.COM



[modulineamodularsystem](https://www.instagram.com/modulineamodularsystem)